



MIAMI-DADE COUNTY
 BUILDING CODE COMPLIANCE OFFICE (BCCO)
 PRODUCT CONTROL DIVISION

MIAMI-DADE COUNTY, FLORIDA
 METRO-DADE FLAGLER BUILDING

140 WEST FLAGLER STREET, SUITE 1603
 MIAMI, FLORIDA 33130-1563
 (305) 375-2901 FAX (305) 375-2908

NOTICE OF ACCEPTANCE (NOA)

www.miamidade.gov

GE Plastics - Polymershapes
1401-A Tampa East Blvd.
Tampa, FL 33619

SCOPE:

This NOA is being issued under the applicable rules and regulations governing the use of construction materials. The documentation submitted has been reviewed by Miami-Dade County Product Control Division and accepted by the Board of Rules and Appeals (BORA) to be used in Miami Dade County and other areas where allowed by the Authority Having Jurisdiction (AHJ).

This NOA shall not be valid after the expiration date stated below. The Miami-Dade County Product Control Division (In Miami Dade County) and/or the AHJ (in areas other than Miami Dade County) reserve the right to have this product or material tested for quality assurance purposes. If this product or material fails to perform in the accepted manner, the manufacturer will incur the expense of such testing and the AHJ may immediately revoke, modify, or suspend the use of such product or material within their jurisdiction. BORA reserves the right to revoke this acceptance, if it is determined by Miami-Dade County Product Control Division that this product or material fails to meet the requirements of the applicable building code.

This product is approved as described herein, and has been designed to comply with the High Velocity Hurricane Zone of the Florida Building Code.

DESCRIPTION: 0.118" Polymershapes Corrugated Storm Panels Shutter

APPROVAL DOCUMENT: Drawing No. GEA-0003-1, titled "3mm Polymershapes Corrugated Storm Shutter", sheets 1 through 3 of 3, prepared by PTC Engineering, Inc., dated November 04, 2005, signed and sealed by Luis R. Lomas, P.E., bearing the Miami-Dade County Product Control Approval stamp with the Notice of Acceptance number and approval date by the Miami-Dade County Product Control Division.

MISSILE IMPACT RATING: Large and Small Missile Impact

LABELING: Each panel shall bear a permanent label with the manufacturer's name or logo, city, state and the following statement: "Miami-Dade County Product Control Approved", unless otherwise noted herein.

RENEWAL of this NOA shall be considered after a renewal application has been filed and there has been no change in the applicable building code negatively affecting the performance of this product.

TERMINATION of this NOA will occur after the expiration date or if there has been a revision or change in the materials, use, and/or manufacture of the product or process. Misuse of this NOA as an endorsement of any product, for sales, advertising or any other purposes shall automatically terminate this NOA. Failure to comply with any section of this NOA shall be cause for termination and removal of NOA.

ADVERTISEMENT: The NOA number preceded by the words Miami-Dade County, Florida, and followed by the expiration date may be displayed in advertising literature. If any portion of the NOA is displayed, then it shall be done in its entirety.

INSPECTION: A copy of this entire NOA shall be provided to the user by the manufacturer or its distributors and shall be available for inspection at the job site at the request of the Building Official.

This NOA consists of this page 1, evidence submitted page E-1 as well as approval document mentioned above. The submitted documentation was reviewed by **Helmy A. Makar, P.E.**



Helmy A. Makar
 08/03/2006

NOA No. 06-0104.02
 Expiration Date: 08/03/2011
 Approval Date: 08/03/2006
 Page 1

GE Plastics - Polymershapes

NOTICE OF ACCEPTANCE: EVIDENCE SUBMITTED

A. DRAWINGS

1. *Drawing No. GEA-0003-1, titled " 3mm Polymershapes Corrugated Storm Shutter", sheets 1 through 3 of 3, prepared by PTC Engineering, Inc., dated November 04, 2005, signed and sealed by Luis R. Lomas, P.E.*

B. TESTS

1. *Test report on Large Missile Impact Test, Cyclic Wind Pressure Test, and Uniform Static Air Pressure Test of 0.118" Polymershapes Corrugated Storm Shutters, prepared by Certified Testing Laboratories, Report No. CTLA 1445W-1, dated November 08, 2005, signed and sealed by Ramesh Patel, P.E.*

C. CALCULATIONS

1. *Anchor Calculations and details for 0.118" Polymershapes Corrugated Storm Shutters, dated November 29, 2005, pages 1 through 4 of 4, prepared by PTC Engineering, Inc., signed and sealed by Luis R. Lomas, P.E.*

D. QUALITY ASSURANCE

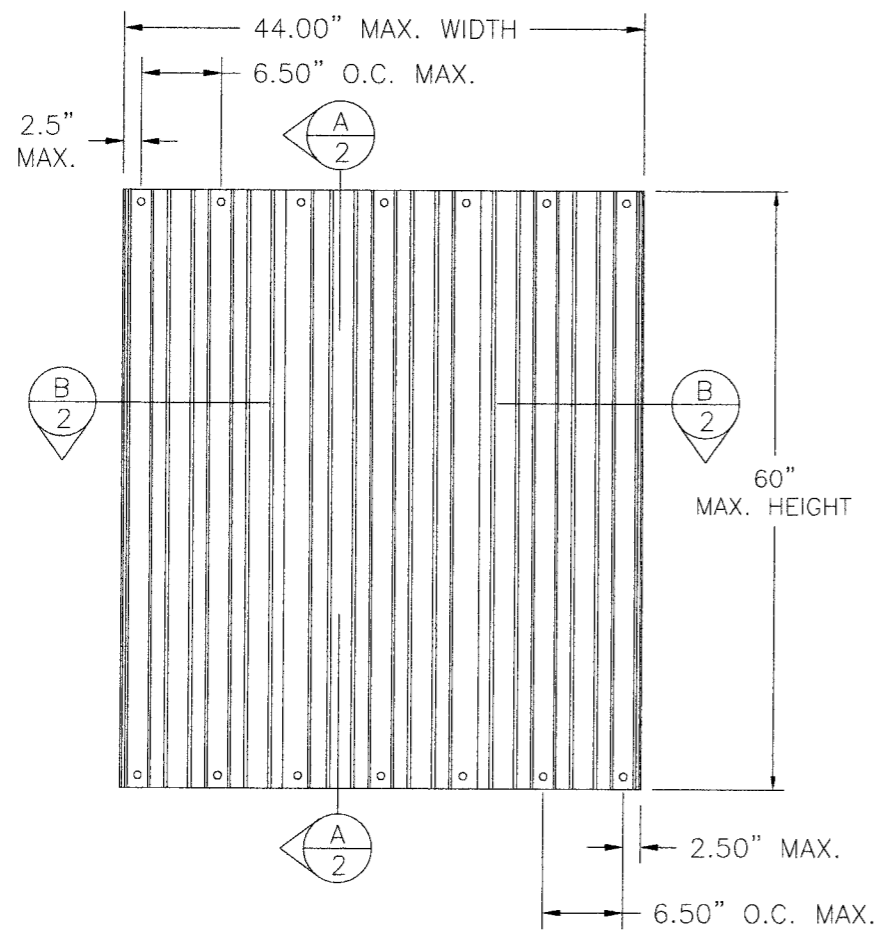
1. *By Miami-Dade County Building Code Compliance Office.*

E. MATERIAL CERTIFICATIONS

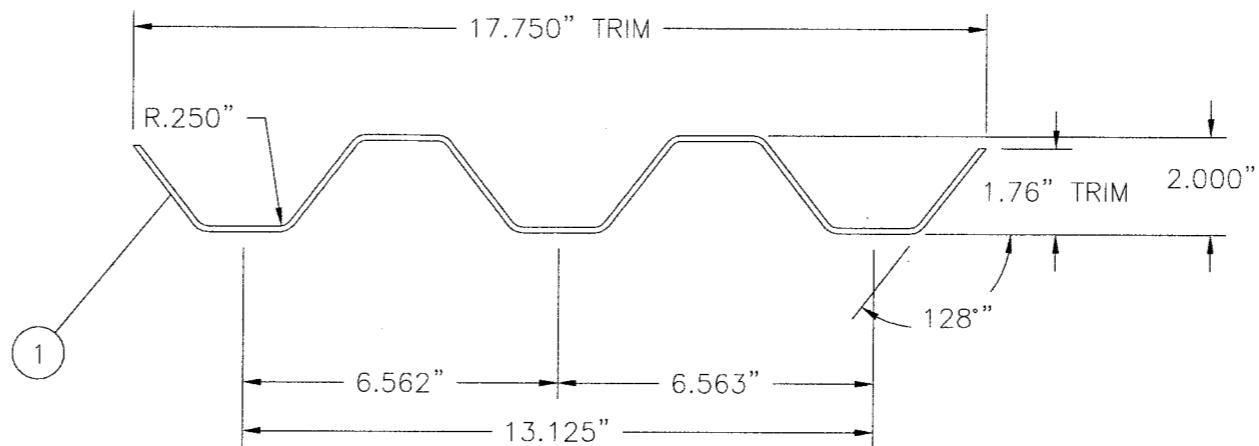
1. *Lexan XL 10 sheet Product Data Sheet.*



Helmy A. Makar, P.E.
Product Control Examiner
NOA No. 06-0104.02
Expiration Date: 08/03/2011
Approval Date: 08/03/2006



EXTERIOR ELEVATION
3MM CORRUGATED



CORRUGATED PANEL DETAIL
MATERIAL: LEXAN XL PER GE N.O.A. 03-1210.04

ITEM #	ITEM DESCRIPTION
1	3 MM (0.118") CORRUGATED PANEL 17-3/4"
2	1/4" DIA. ELCO PANEL MATE MALE FASTENER
3	1/4-20 S.S. WING NUT
4	1/4 X 1-1/4" X 1/8" RUBBER WASHER
5	1/4" TAPCON SG (ITW BUILDEX)

GENERAL NOTES:

- THIS SHUTTER SYSTEM IS DESIGNED AND INSTALLED IN ACCORDANCE TO THE 2004 FLORIDA BUILDING CODE AND MEETS "HVHZ" ZONES REQUIREMENTS.
- GE ADVANCED POLYMERS CLEAR STORM PANELS SHALL BE MADE OF GE U.V. RATED LEXAN XL-10 SHEET, BY GE N.O.A. 03-1210.04
- ALL BOLTS AND WASHERS SHALL BE GALVANIZED OR STAINLESS STEEL WITH A MINIMUM TENSILE STRENGTH OF 60 K.S.I. UNLESS MADE OF RUBBER.
- TOP AND BOTTOM DETAILS SHOWN MAY BE INTERCHANGED AS FIELD CONDITIONS DICTATE, PANELS MAY BE MOUNTED HORIZONTALLY WHERE APPLICABLE.
- PANELS SHALL BE FASTENED ACCORDING TO FASTENER MANUFACTURER'S INSTALLATION SPECIFICATIONS AND AS SHOWN HEREIN.
- EMBEDMENT IS THE DEPTH INTO CONCRETE MASONRY UNIT (CMU), CONCRETE OR WOOD FRAMING MEMBER AS NOTED AND DO NOT INCLUDE STUCCO OR OTHER FINISHES.
- STORM PANEL ANCHORAGE TO SUBSTRATE USE ONE 1/4" DIAMETER ELCO PANELMATE OR 1/4" DIAMETER TAPCON SG WITH 1/4-20 WING NUT AND RUBBER WASHER LOCATED 2.5" MAXIMUM FROM EACH END AND ON 6 1/2" MAXIMUM ON CENTER THEREAFTER.

DESIGN PRESSURE (PSF)	MAX PANEL LENGTH (IN)	MINIMUM SEPARATION FROM GLASS (IN)
±50.0	60"	4"

Approved as complying with the Florida Building Code
Date: 08/03/2006
NOA# 06-0104-02
Miami Dade Product Control
Division
By: *Helmy A. M...*

SYM	REVISION	DATE	BY
A	REVISED COMPANY ADDRESS	7/13/06	R.L.

Luis R. Lomas P.E.
Florida No. 62514
Luis R. Lomas
7/13/06

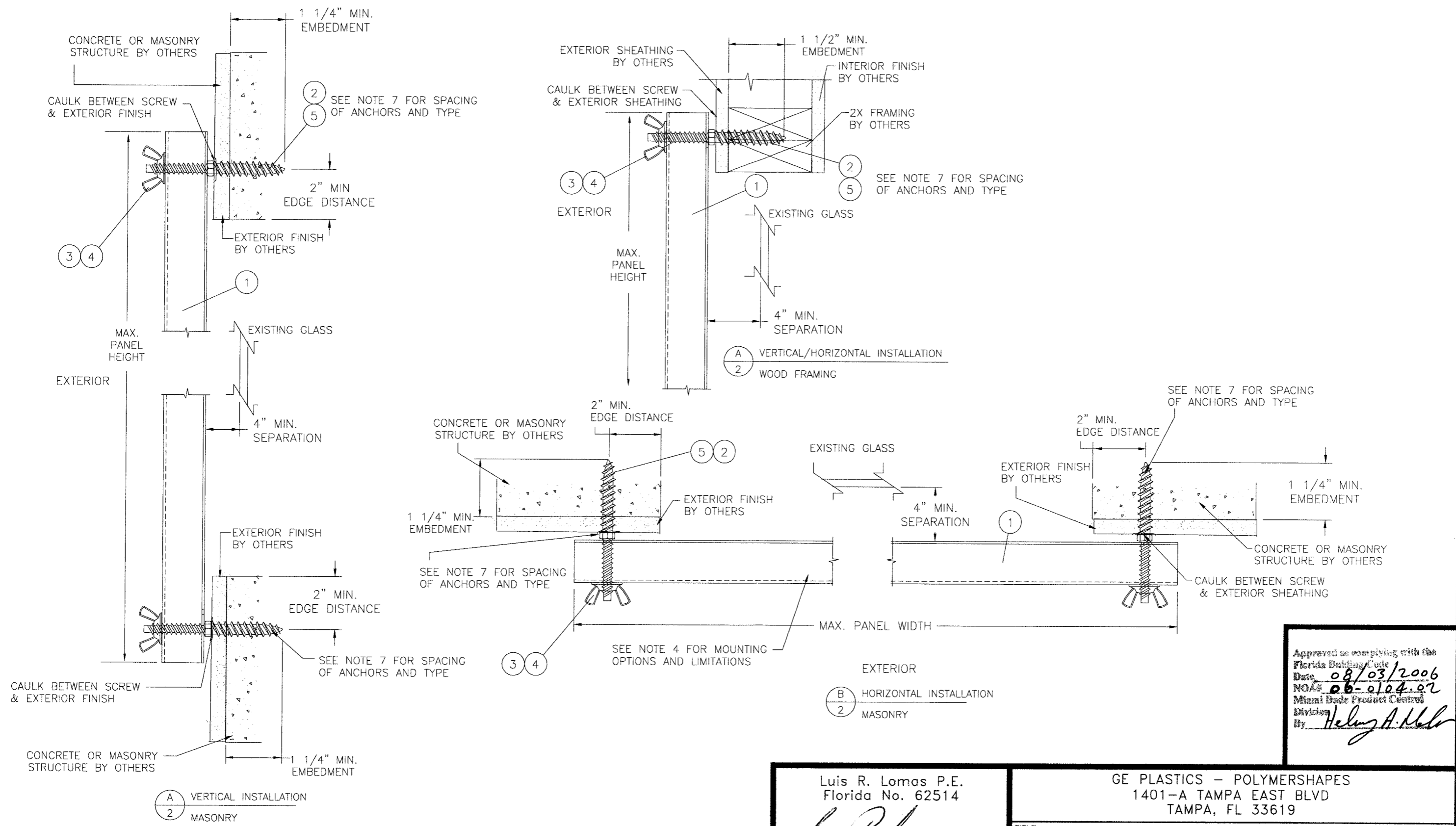
PTC Engineering, Inc.
2361 S.E. Seafury Lane
Port St. Lucie, FL 34952
FBPE Certificate of Authorization No. 25935

GE PLASTICS - POLYMERSHAPES
1401-A TAMPA EAST BLVD
TAMPA, FL 33619

TITLE: 3MM POLYMERSHAPES CORRUGATED STORM SHUTTER ELEVATIONS AND ANCHOR DETAILS

PREPARED BY: **PTC** PTC ENGINEERING, INC.
Phone 772.398.4639 Fax 772.398.4654

DRN: J.M. DATE: 11/04/05
SCALE: NTS DWG. NO: GEA-0003-1
REV: A SHEET: 1 OF 3



Approved as complying with the Florida Building Code
 Date 08/03/2006
 NOA# 06-0104-02
 Miami Code Product Control
 Division
 By Helmut A. Heller

Luis R. Lomas P.E.
 Florida No. 62514
Luis R. Lomas
 7/13/06

PTC Engineering, Inc.
 2361 S.E. Seafury Lane
 Port St. Lucie, FL 34952
 FBPE Certificate of Authorization No. 25935

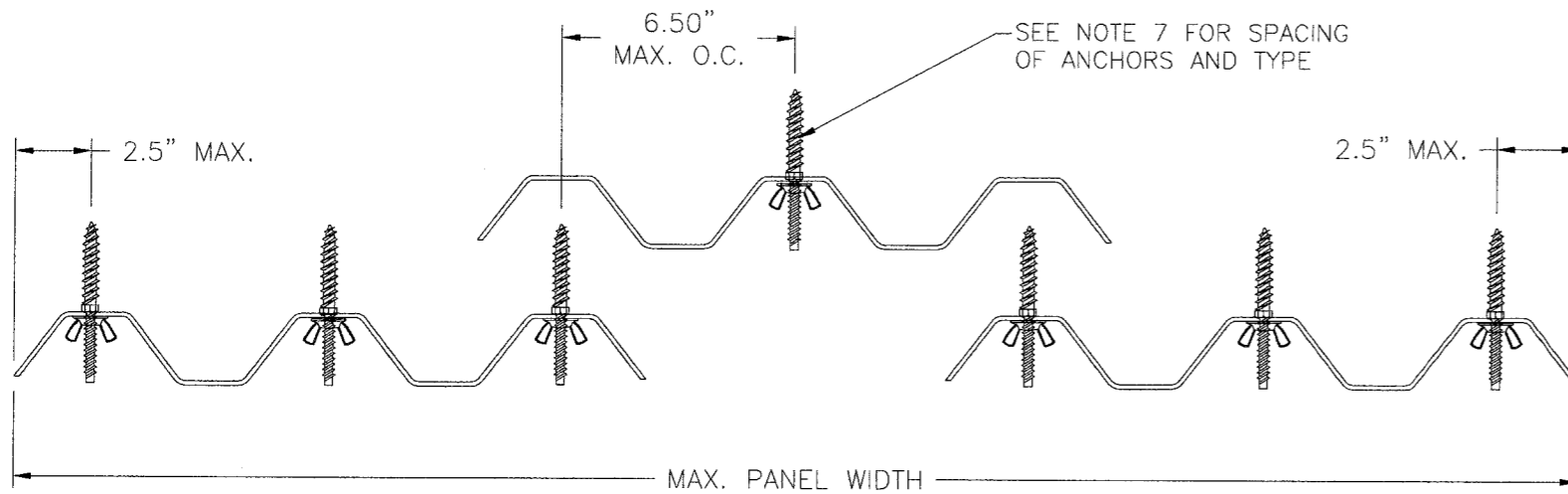
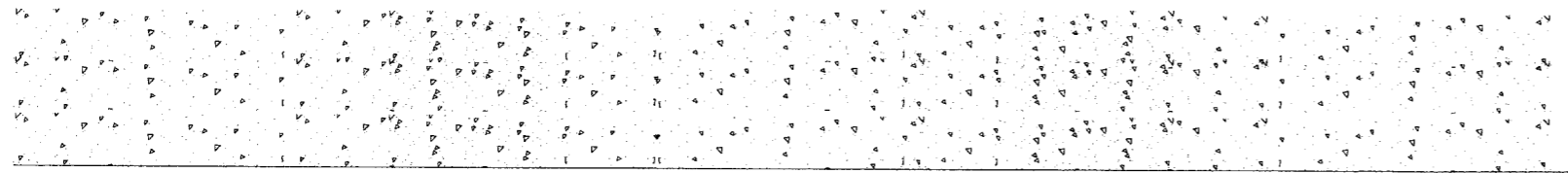
GE PLASTICS - POLYMERSHAPES
 1401-A TAMPA EAST BLVD
 TAMPA, FL 33619

TITLE: 3MM POLYMERSHAPES CORRUGATED STORM SHUTTER
 HORIZONTAL & VERTICAL ANCHOR DETAILS

PREPARED BY: **PTC** PTC ENGINEERING, INC.
 Phone 772.398.4639 Fax 772.398.4654

DRN: J.M. 11/04/05
 SCALE: NTS DWG. NO: GEA-0003-1
 REV: A SHEET: 2 OF 3

SYM	REVISION	DATE	BY
A	REVISED COMPANY ADDRESS	7/13/06	R.L.



TOP VIEW DIRECT MOUNT INSTALLATION
IN MASONRY/CONCRETE AND STORM
PANEL ASSEMBLY DETAILS

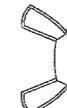
② ⑤



1/4" ELCO PANELMATE MALE FASTENER

1/4" TAPCON SG

③



1/4-20 WING NUT

④



RUBBER WASHER OF 60 DUROMETER RUBBER
1-1/4" O.D. X 1/4" I.D. X 1/8" THICK. MUST
BE USED AT ALL CONNECTIONS USING HOLE OR
KEY HOLE OF STORM PANEL

Approved as complying with the
Florida Building Code
Date 08/03/2006
NOAH 06-0104.02
Miami Code Product Control
Division
By Helmy A. M...

Luis R. Lomas P.E.
Florida No. 62514
Luis R. Lomas
7/13/06
PTC Engineering, Inc.
2361 S.E. Seafury Lane
Port St. Lucie, FL 34952
FBPE Certificate of Authorization No. 25935

GE PLASTICS - POLYMERSHAPES
1401-A TAMPA EAST BLVD
TAMPA, FL 33619
TITLE: 3MM POLYMERSHAPES CORRUGATED STORM SHUTTER
DIRECT MOUNTING & SECTION DETAILS
PREPARED BY: **PTC** PTC ENGINEERING, INC.
DRN: J.M. DATE: 11/04/05
SCALE: NTS DWG. NO: GEA-0003-1
REV: A SHEET: 3 OF 3
Phone 772.398.4639 Fax 772.398.4654

A	REVISED COMPANY ADDRESS	7/13/06	R.L.
SYM	REVISION	DATE	BY